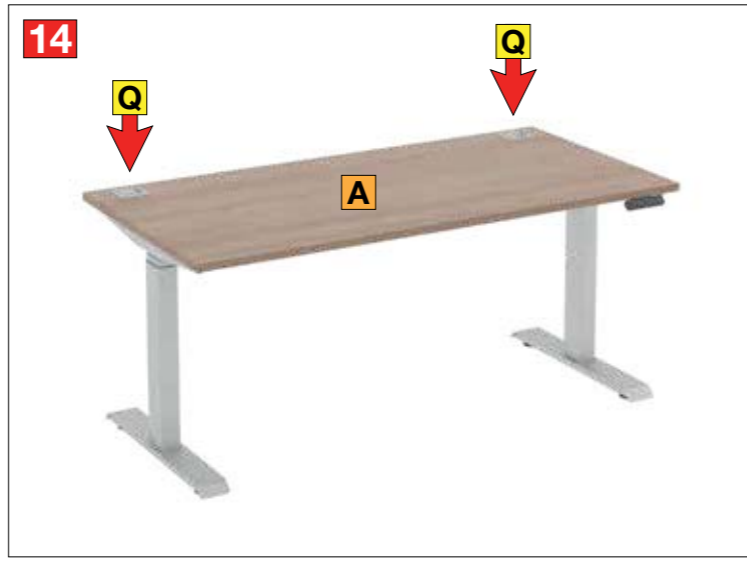


13. Secure Keypad 'F' cable in place using Cable Clip 'N' and Cable Clip Screw 'P' in the middle right of the Desktop 'A'.



14. If Cable Ports 'Q' are not already attached, insert both Cable Ports 'Q' into Desktop 'A' apertures. The Progress Plus Single Desk is now fully assembled.

Range	Progress Plus
Desk Style	Sit / Stand Single Workstation
 Please Read This Leaflet Before Assembly	2 Person Assembly
	Assembly Instructions



Rev. v2 06/2019

Tools Required

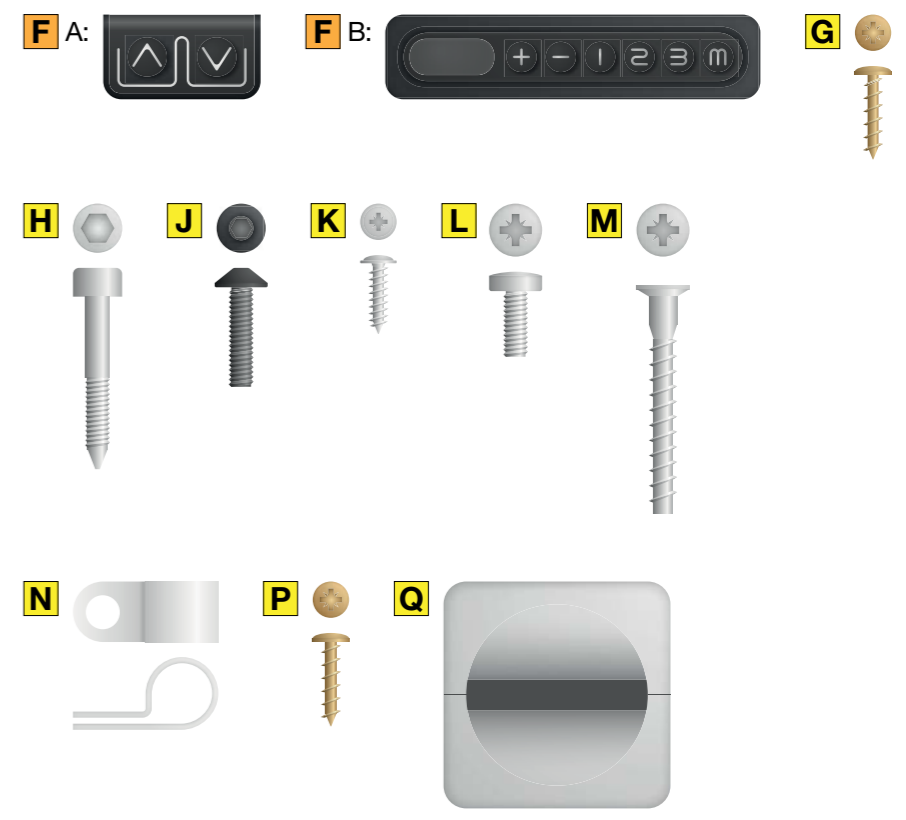
Pozi Screwdriver

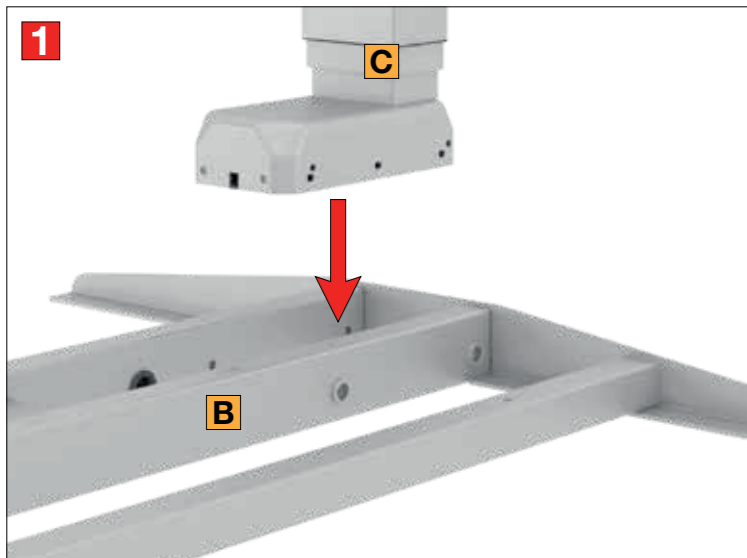
5mm Allen Key
or Hex' Screwdriver



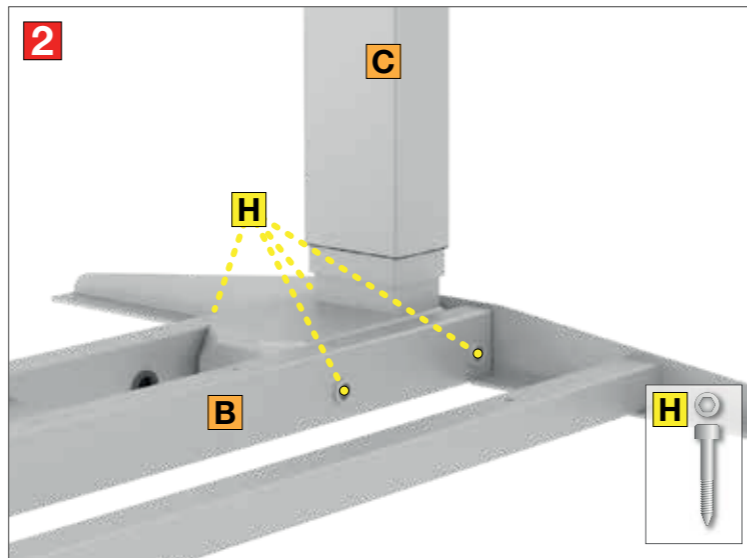
Components

A Desktop Panel	x 1
B Sub-Frame	x 1
C Leg Column	x 2
D Leg Base	x 2
E Cable Tray	x 1
F A: Standard Keypad	x 1
F B: Advanced Keypad	x 1
G Keypad Screws (20mm Reisser)	x 2
H Allen Screws (M6x32)	x 8
J Leg Base Bolts (M6x20)	x 8
K Cable Tray Screws (13mm Self Tapper)	x 2/3
L Desktop Bolts (6x12 Pan Head)	x 4
M Sub-Frame Rail Bolts (50mm Confirmat)	x 2
N Cable Clip	x 1
P Cable Clip Screw (16mm Reisser)	x 1
Q Cable Ports	x 2

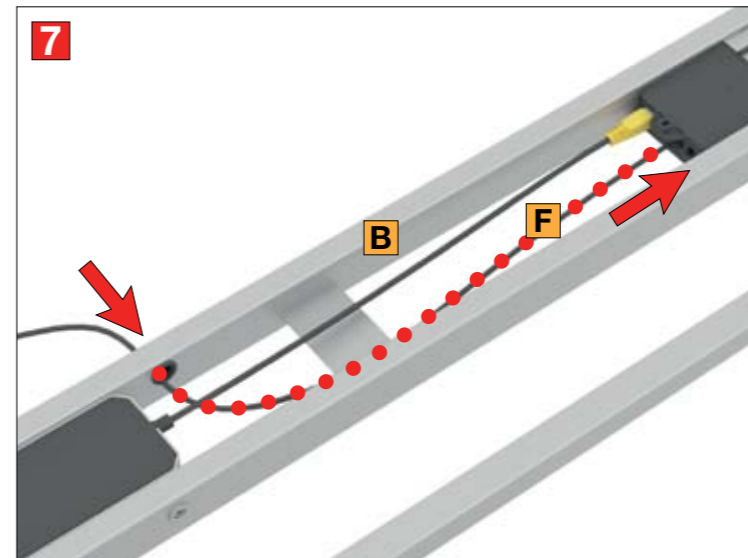




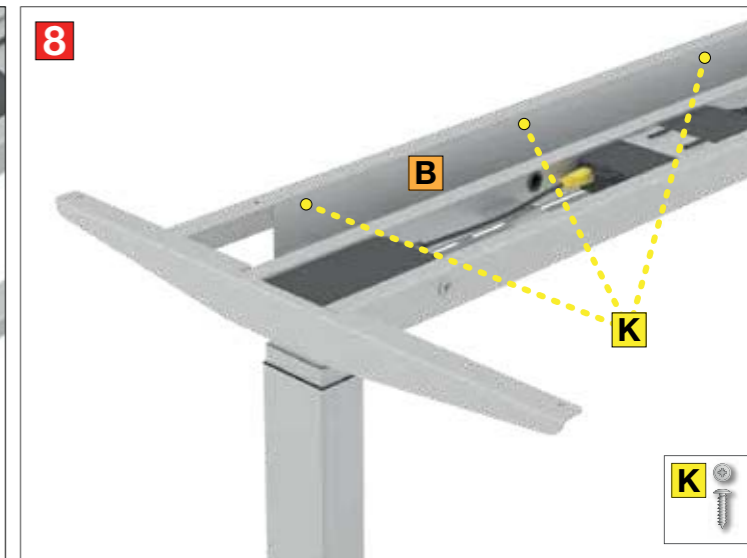
1. Lay Sub-Frame 'B' upside-down on a flat surface. Take Leg Column 'C' and place it in-between the 2 middle rails.



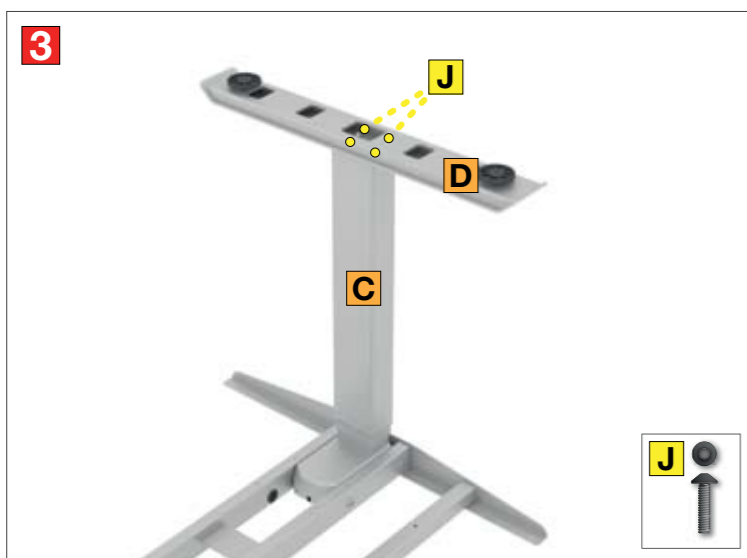
2. Using 4x Allen Screws 'H', fix Sub-Frame 'B' to Leg Column 'C'.



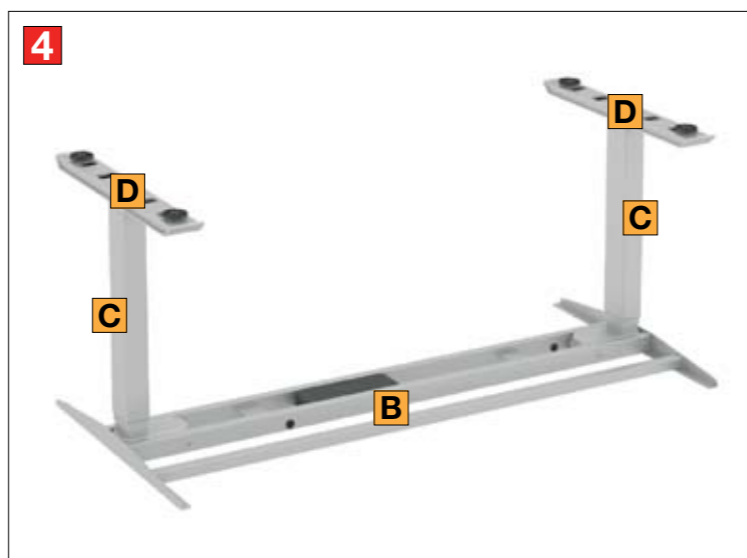
7. Insert Keypad 'F' Cable through the aperture in Sub-Frame 'B' and connect to the power pack. At this point, plug in the mains power adapter to operate the height adjustability.



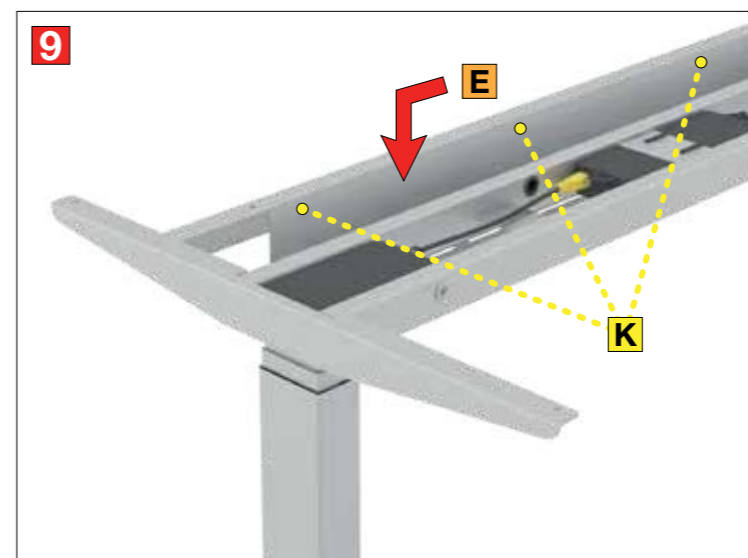
8. Insert Cable Tray Screws 'K' halfway into the rear rail of Sub-Frame 'B' leaving 5mm protruding.



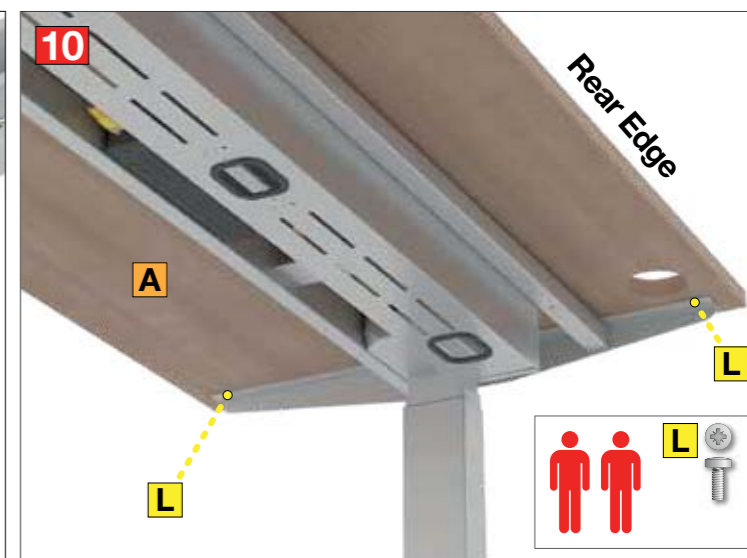
3. Carefully position Leg Base 'D' on top of Leg Column 'C' with the adjustable feet facing upwards. Using 4x Leg Base Bolts 'J', fix Leg Base 'D' to Leg Column 'C'.



4. Repeat steps 1-4 on the opposite side of Sub-Frame 'B'.



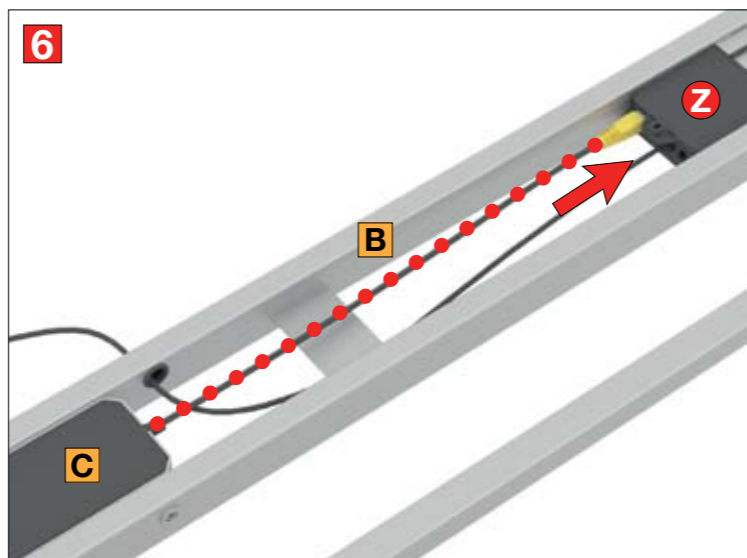
9. Align the holes of Cable Tray 'E' to Screws 'K'. Using a hooking action, place Cable Tray 'E' onto Screws 'K', before tightening Screws 'K' fully.



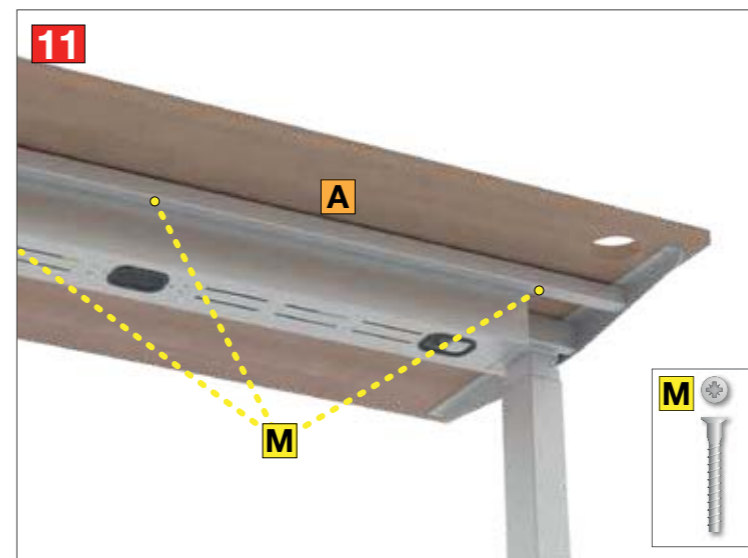
10. With assistance, lift and place Desktop 'A' onto the frame so its cable port holes are along the rear edge. Fix each corner of the Desktop 'A' to the frame, using 4x Desktop Bolts 'L'.



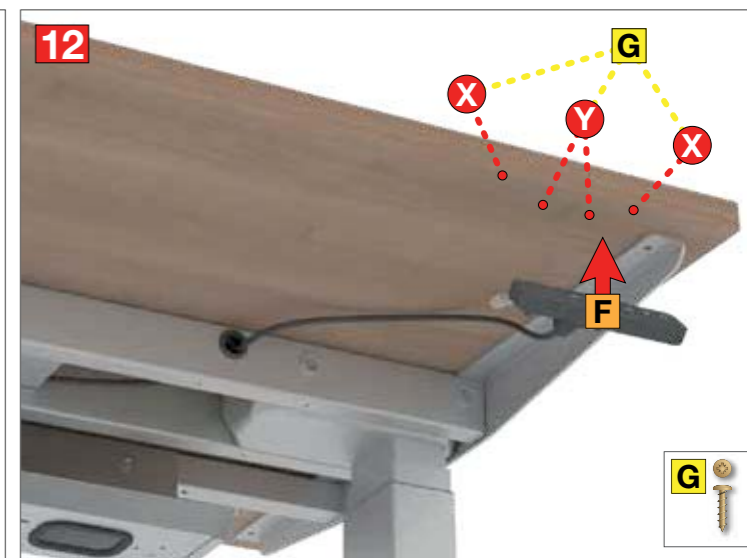
5. With assistance, turn the assembled frame upright and lay gently on a flat surface.



6. Connect the yellow cable ends from Leg Columns 'C' to the power packs 'Z'. If the cables are too short, an extension will be supplied.



11. Once fixed, insert screws 'M' into the Outer Rail of Sub-Frame 'B' securing Desktop 'A'.



12. Fix Keypad 'F' to the right side of Desktop 'A' using 2x Keypad Screws 'G' with the controls facing the front edge. For Standard Keypad 'FA', use the inner holes 'Y'. For Advanced Keypad 'FB', use the outer holes 'X'.